

Ceraflex 2 Tap Hole Bath Filler

ILLUSTRATED

B1824 Ceraflex dual control 2 tap hole bath filler

ILLUSTRATED PRODUCT DETAILS

Weights

B1824 0.01 KG

Finishes

B1824  Chrome (AA)

Materials

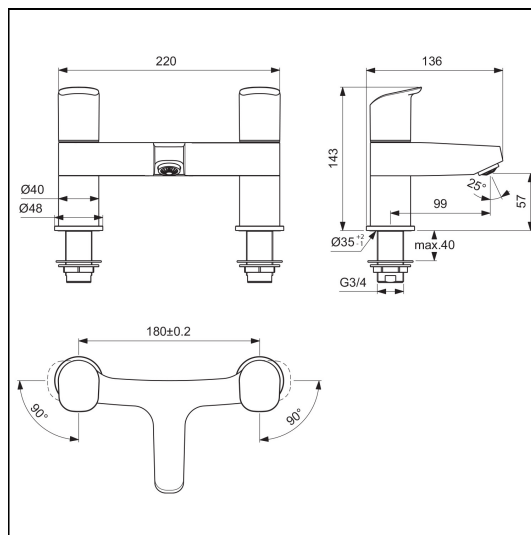
B1824 Chrome Plated Brass

Designer

Artefakt Industriekultur

Special Notes

Suitable for balanced/unbalanced supplies. Inlets 3/4" BSP male coned for copper. Supplied with brass back nuts. Consideration should be given to safe hot water delivery and the use of an appropriate temperature reduction device, please see A5900AA (for use with 15mm pipework) or A5901AA (for use with 22mm pipework).



ACCREDITATIONS



1810080