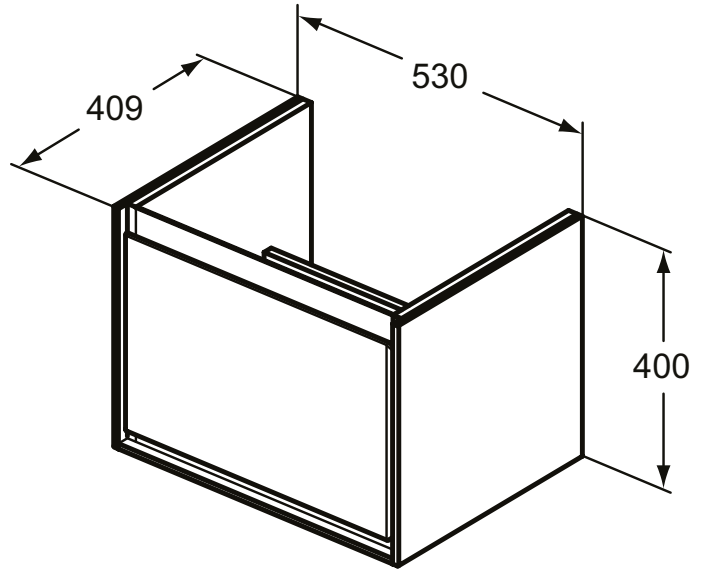




Ideal Standard

BASIN UNITS

Connect Air



Article-No.: R0472NE

Basin unit Cube 53,5cm

Connect Air wall-mounted basin unit with 1 drawer with edged panel (handle not necessary), with soft close system. For assembly with Connect Air vanity basin 60 cm E074201 or E0298V3. Recommended: Space Saving Siphon EE23033967 (please, order separately).

Colour: NE - Dark Wood (structure) + Silk black (frame/ accent)

More product details:

Type:	Vanity unit
Mounting:	Wall mounted
Style:	Contemporary
Net Weight (kg):	17,8
Material:	Lacquered MDF
Designer:	Studio Levien
Height (mm):	400
Width (mm):	530
Depth (mm):	409
Shape:	Rectangular
Installation:	Wall mounted