

TWO DOOR OFFSET QUADRANT

EN 14428:2015+A1:2018 (shower enclosures)

EN 12150-1:2013 (glass in building)

EN ISO7599 (anodizing of aluminium and its alloys)

25mm Profile Adjustment

6mm Toughened Safety Glass

1900mm Height

Solid Chrome Handle

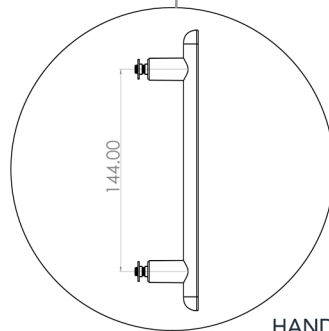
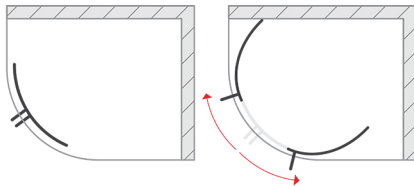
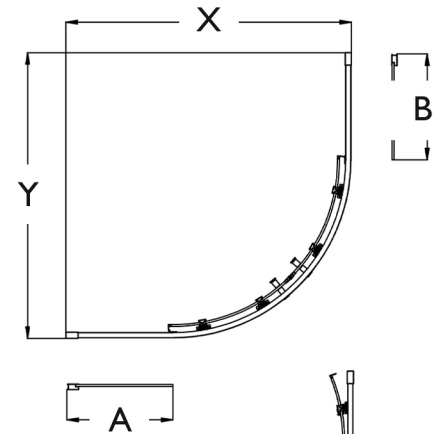
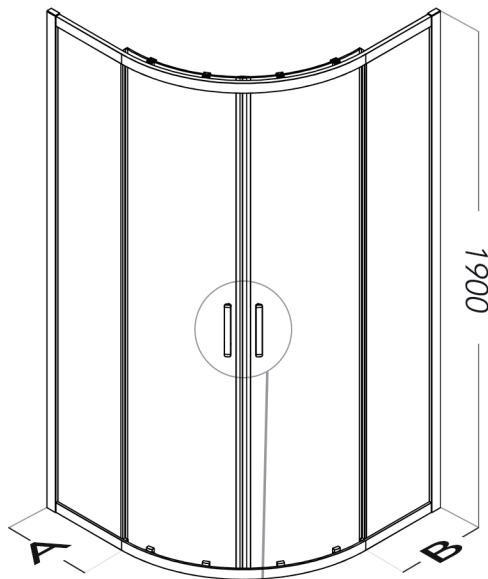
Ultra Slim Chrome Plated Cover Caps

ClearVue Glass Coating

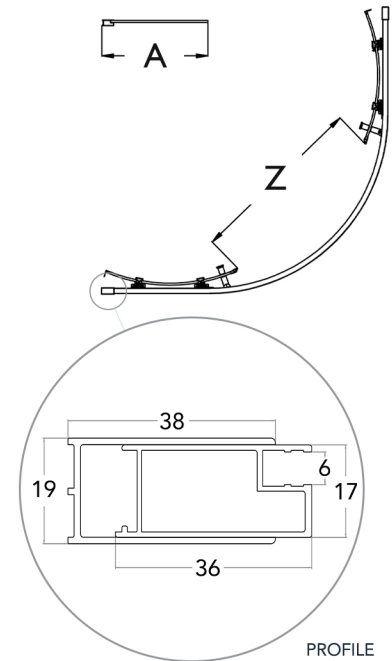
Reversible

Quick Release Chrome Double Wheel Rollers

20 Year Guarantee Against Manufacturing Defects*



HANDLE



PROFILE
(identical on both sides)

SPECIFICATIONS

PRODUCT SIZE	ADJUSTMENT		DOOR ACCESS Z	GLASS PANEL		PRODUCT WEIGHT	PRODUCT CODE SILVER
	X (min - max)	Y (min - max)		A	B		
800 X 1000mm	770 - 795mm	970 - 995mm	468mm	223mm	423mm	47.00kg	VCQ80X100SC
800 X 1100mm	770 - 795mm	1070 - 1095mm	468mm	223mm	523mm	51.00kg	VCQ80X110SC
800 X 1200mm	770 - 795mm	1170 - 1195mm	468mm	223mm	623mm	55.00kg	VCQ80X120SC
900 X 1100mm	870 - 895mm	1070 - 1095mm	538mm	323mm	523mm	54.00kg	VCQ90X110SC
900 X 1200mm	870 - 895mm	1170 - 1195mm	538mm	323mm	623mm	58.00kg	VCQ90X120SC

+353 42 966 8000 | flairshowers.com | sales@flairshowers.com

All data presented may be subjected to change without prior notice. Flair Showers does the best it can to provide accurate information. Flair Showers unfortunately cannot guarantee this, and accept no liability for any information / advice given.

* Excludes perishable items such as rollers, seals, hinges, etc.

